

8M2010171 SHEET 1 OF 2  
3.0L MPI ALPHA WITH SIDE MOUNTS

UNIT OF MEASURE  
mm [in.]

SCALE  
1" = 1'  
25.4 mm = 305 mm

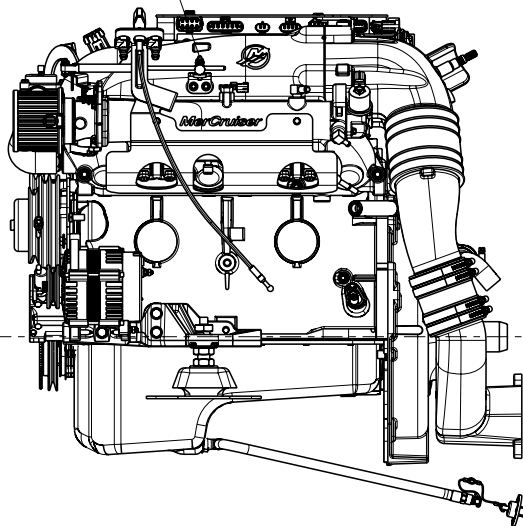
REV  
A

- NOTES:
- (1) REFER TO THE APPLICATION MANUAL FOR COMPLETE PRODUCT INSTALLATION REQUIREMENTS.
  - (2) DIMENSIONS REQUIRE A MINIMUM OF 1/2 in. (13 mm) CLEARANCE FOR MOTOR MOUNT DEFLECTION.
  - (3) INNER AND OUTER SURFACES OF TRANSOM MUST BE PARALLEL WITHIN 1/8 in. (3 mm) IN AREA COVERED BY TRANSOM PLATES AND REMAIN WITHIN TRANSOM THICKNESS LIMITS.
  - (4) REFER TO "TRANSOM CUTOUT" IN THE INSTALLATION MANUAL TO ESTABLISH THE CRANKSHAFT CENTERLINE RELATIVE TO THE BOAT BOTTOM.

NOTES:

- (1) REFER TO THE APPLICATION MANUAL FOR COMPLETE PRODUCT INSTALLATION REQUIREMENTS.
- (2) DIMENSIONS REQUIRE A MINIMUM OF 1/2 in. (13 mm) CLEARANCE FOR MOTOR MOUNT DEFLECTION.
- (3) INNER AND OUTER SURFACES OF TRANSOM MUST BE PARALLEL WITHIN 1/8 in. (3 mm) IN AREA COVERED BY TRANSOM PLATES AND REMAIN WITHIN TRANSOM THICKNESS LIMITS.
- (4) REFER TO "TRANSOM CUTOUT" IN THE INSTALLATION MANUAL TO ESTABLISH THE CRANKSHAFT CENTERLINE RELATIVE TO THE BOAT BOTTOM.

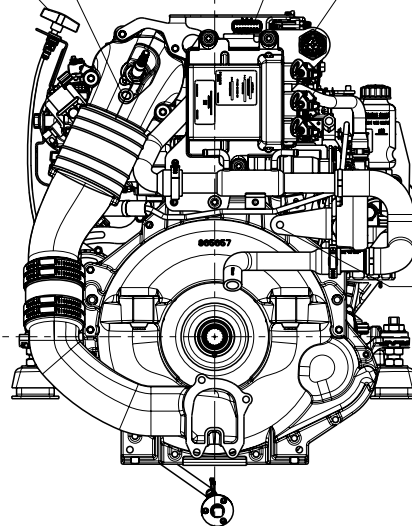
THROTTLE CABLE CONNECTION



CRANKSHAFT

EMISSIONS SAMPLING PORT

QUICK WATER DRAIN



TRANSOM HARNESS RECEPTICAL

14 PIN ELECTRICAL HARNESS RECEPTACLE

